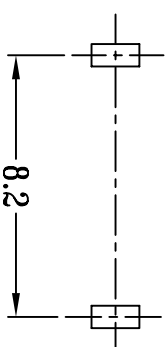
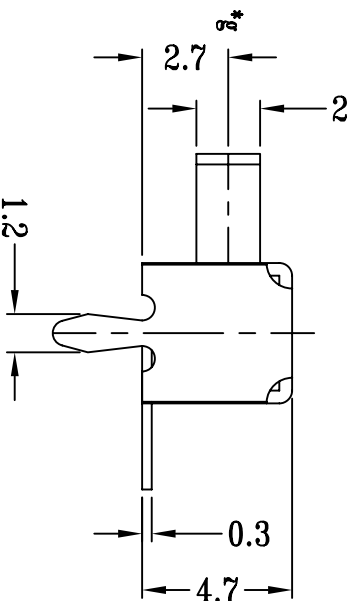
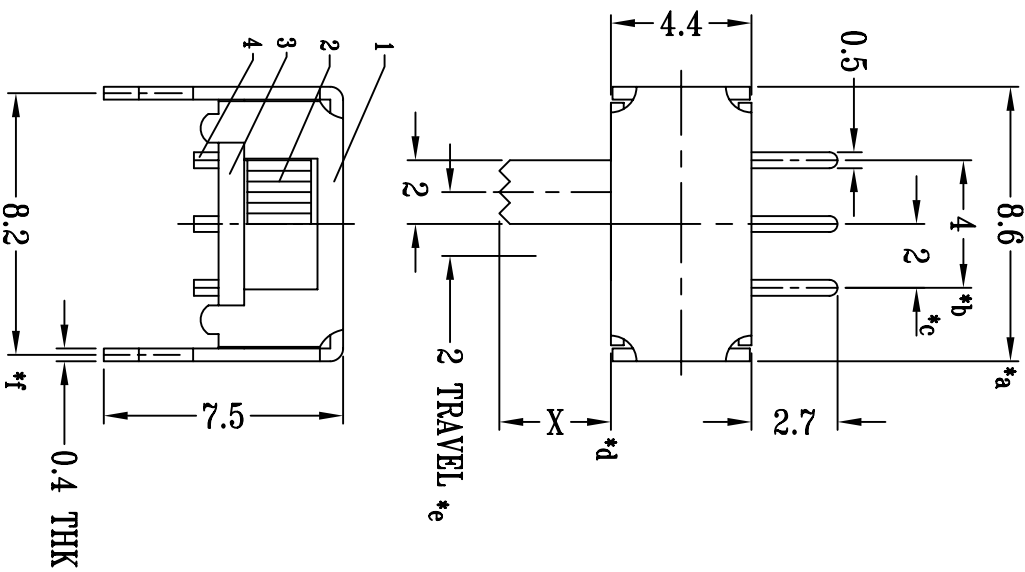
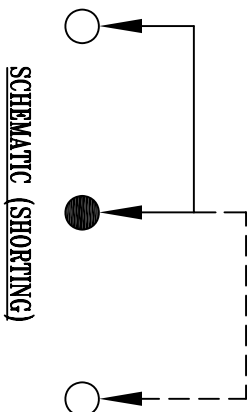




CAD FILE :



P.C.B LAYOUT



注:带"*"表示关键尺寸(7个)

8																														
7																														
6	SPRING PLATE	STAINLESS STEEL	1	NATURAL	TOLERANCE UNLESS SPECIFIED		SHENZHEN XIEJIA ELECTRONICS CO.,LTD.																							
5	CONTACT CLIP	PBS	1	Ag CLAD																										
4	TERMINAL	BRASS STRIP	3	Ag PLATED OVER Ni PLATED	WIDTH: 1.5±0.1mm	ISSUE														DATE	DESCRIPTIONS OF REVISION	APPD								
3	BASE	PHENOLIC RESIN	1	NATURAL	OVER: 1.5±0.2mm	TITLE: HORIZONTAL SLIDE SWITCH														UNIT : mm	SCALE : 4 : 1	DRWG NO : XJ-DR-SK12D18-00	DWN.	ZHUYU	2004-7-24					
2	KNOB	POM	1	BLACK	MODEL: SK-12D18															ALL MATERIALS MUST BE COMPLIANT TO ROHS			CHK'D	FANGYING	2004-7-24					
1	FRAME	STEEL STRIP	1	Ni PLATED																										
																								APPD.	KANGXIAN	2004-7-24				
NO.	PARTS	MATERIALS	Q'TY	FINISH																										